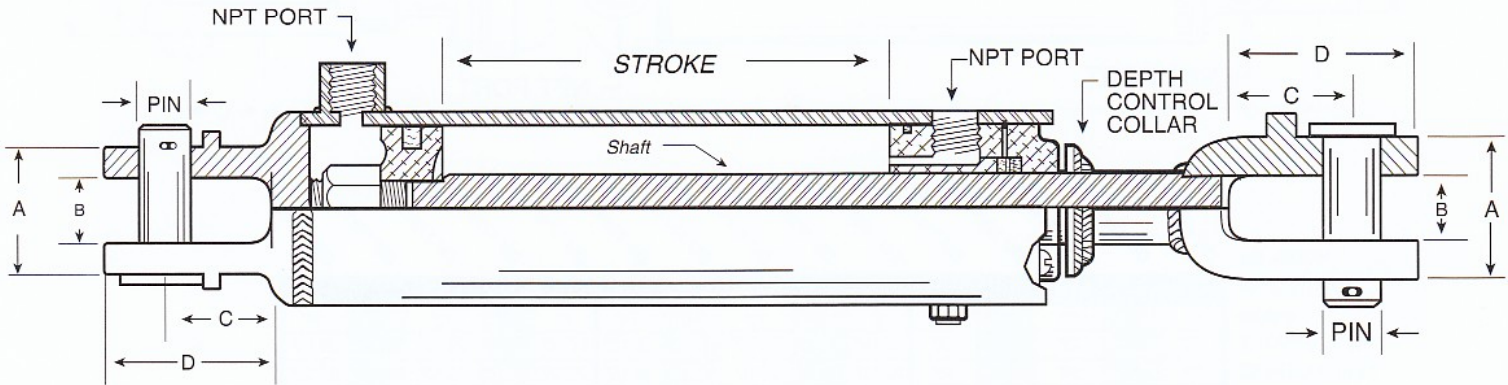


All A.S.A.E. Standardized Cylinders  
 Double Acting 2,000 P.S.I.  
 3" X 8" Cylinder Illustrated  
 Adaptable for use with Stroke Control Clamps



MODEL No.	B 25x8	B 3x8	B 35x8	B 4x8	B 5x8	BB 4x16	BB 5x16	BB 6x16
BORE DIAMETER	2 1/2"	3"	3 1/2"	4"	5"	4"	5"	6"
STROKE	8"					16"		
LENGTH RETRACTED	20 1/4"					31 1/2"		
LENGTH EXTENDED	28 1/4"					47 1/2"		
<b>FORCE PER 100 P.S.I. PUMP PRESSURE</b>								
PUSH	491	707	962	1257	1963	1257	1963	2827
PULL	412	607	839	1108	1786	1108	1786	2620
PIN SIZE	1"					1 1/4"		
SHAFT DIAMETER	1"	1 1/8"	1 1/4"	1 3/8"	1 1/2"	1 3/8"	1 1/2"	1 5/8"
N. P. T. PORT	1/2"	1/2"	1/2"	1/2"	3/4"	1/2"	3/4"	3/4"
<b>OTHER DIMENSIONS:</b>								
A	2 1/2"					2 1/2"		
B	1 1/8"					1 1/8"		
C	1 7/8"					1 7/8"		
D	3"					3 1/4"	3 1/2"	

Also available in any size stroke, rod size, port, seal, mounting, or material.