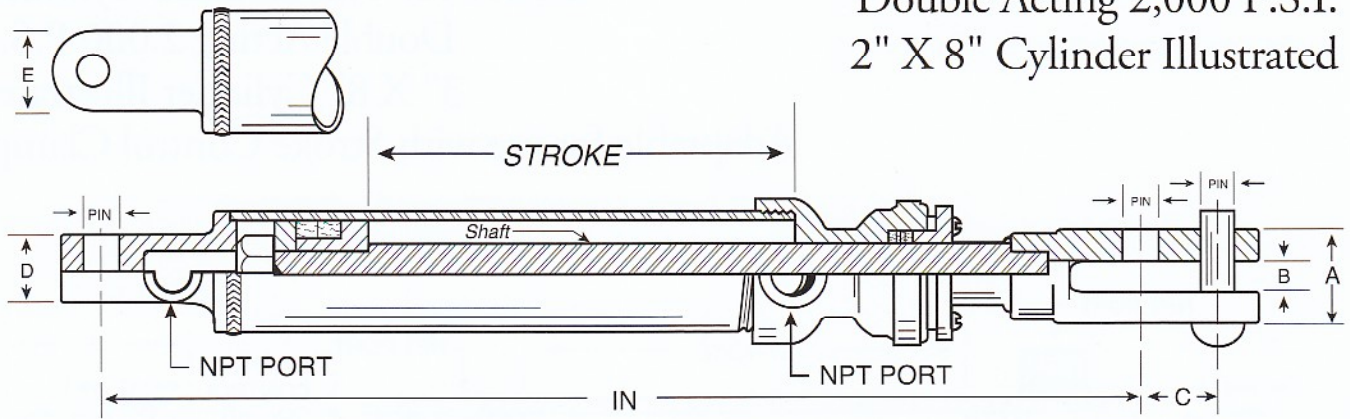


Double Acting 2,000 P.S.I.
2" X 8" Cylinder Illustrated



MODEL No.	DU 12x6					DU 12x8					DU 12x12					DU 12x15					DU 12x18																								
BORE DIAMETER	1 1/4"															1 1/2"															1 3/4"														
STROKE	6"	8"	12"	15"	18"	6"	8"	12"	15"	18"	6"	8"	12"	15"	18"	6"	8"	12"	15"	18"	6"	8"	12"	15"	18"	6"	8"	12"	15"	18"															
LENGTH RETRACTED	16"	18"	22"	25"	28"	16 1/2"	18 1/2"	22 1/2"	25 1/2"	28 1/2"	17 1/2"	19 1/2"	23 1/2"	26 1/2"	29 1/2"	17 1/2"	19 1/2"	23 1/2"	26 1/2"	29 1/2"	17 1/2"	19 1/2"	23 1/2"	26 1/2"	29 1/2"	17 1/2"	19 1/2"	23 1/2"	26 1/2"	29 1/2"															
LENGTH EXTENDED	22"	26"	34"	40"	46"	22 1/2"	26 1/2"	34 1/2"	40 1/2"	46 1/2"	23 1/2"	27 1/2"	35 1/2"	41 1/2"	47 1/2"	23 1/2"	27 1/2"	35 1/2"	41 1/2"	47 1/2"	23 1/2"	27 1/2"	35 1/2"	41 1/2"	47 1/2"	23 1/2"	27 1/2"	35 1/2"	41 1/2"	47 1/2"															
FORCE PER 100 P.S.I. PUMP PRESSURE																																													
PUSH	122"															176"															240"														
PULL	62"															98"															141"														
PIN SIZE	5/8"															5/8"															5/8"														
SHAFT DIAMETER	7/8"															1"															1 1/8"														
N. P. T. PORT	1/2"															1/2"															1/2"														
OTHER DIMENSIONS																																													
A	1 3/8"															1 5/8"															1 5/8"														
B	1/2"															5/8"															5/8"														
C	1 1/2"															1 1/2"															1 1/2"														
D	1 1/4"															1 1/4"															1 1/4"														
E	1 1/2"															1 1/2"															1 1/2"														

MODEL No.	DU 2x6					DU 15x8					DU 22x12					DU 22x15					DU 22x18					DU 22x24																								
BORE DIAMETER	2"																									2 1/4"																								
STROKE	6"	8"	12"	15"	18"	6"	8"	12"	15"	18"	6"	8"	12"	15"	18"	6"	8"	12"	15"	18"	6"	8"	12"	15"	18"	6"	8"	12"	15"	18"																				
LENGTH RETRACTED	17 1/2"	19 1/2"	23 1/2"	26 1/2"	29 1/2"	18 1/2"	20 1/2"	24 1/2"	27 1/2"	30 1/2"	18 1/2"	20 1/2"	24 1/2"	27 1/2"	30 1/2"	18 1/2"	20 1/2"	24 1/2"	27 1/2"	30 1/2"	18 1/2"	20 1/2"	24 1/2"	27 1/2"	30 1/2"	18 1/2"	20 1/2"	24 1/2"	27 1/2"	30 1/2"																				
LENGTH EXTENDED	23 1/2"	27 1/2"	35 1/2"	41 1/2"	47 1/2"	24 1/2"	28 1/2"	36 1/2"	42 1/2"	48 1/2"	24 1/2"	28 1/2"	36 1/2"	42 1/2"	48 1/2"	24 1/2"	28 1/2"	36 1/2"	42 1/2"	48 1/2"	24 1/2"	28 1/2"	36 1/2"	42 1/2"	48 1/2"	24 1/2"	28 1/2"	36 1/2"	42 1/2"	48 1/2"																				
FORCE PER 100 P.S.I. PUMP PRESSURE																																																		
PUSH	314"																									398"																								
PULL	214"																									275"																								
PIN SIZE	5/8"																									3/4"																								
SHAFT DIAMETER	1 1/8"																									1 1/4"																								
N. P. T. PORT	1/2"																									3/4"																								
OTHER DIMENSIONS																																																		
A	1 5/8"																									1 7/8"																								
B	5/8"																									11/16"																								
C	1 1/2"																									1 1/4"																								
D	1 1/4"																									1 1/2"																								
E	1 1/2"																									2"																								

Also available in any size stroke, rod size, port, seal, mounting, or material.