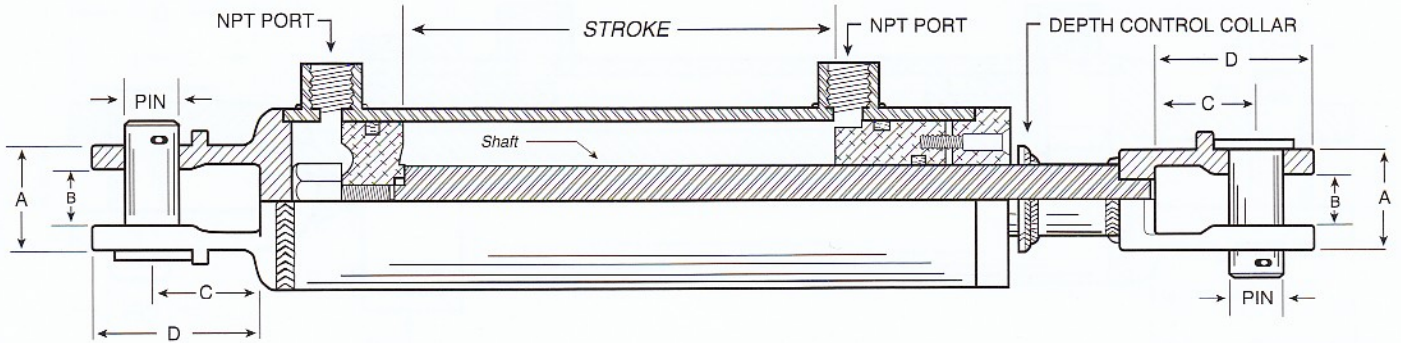


A.S.A.E. Standardized Cylinders
 Double Acting 2,500 P.S.I.
 3" X 8" Cylinder Illustrated



MODEL No.	FA 25x8	FA 3x8	FA 35x8	FA 4x8
BORE DIAMETER	2 1/2"	3"	3 1/2"	4"
STROKE	8"			
LENGTH RETRACTED	20 1/4"			
LENGTH EXTENDED	28 1/4"			
FORCE PER 100 P.S.I. PUMP PRESSURE				
PUSH	491	707	962	1257
PULL	391	584	840	1108
PIN SIZE	1"			
SHAFT DIAMETER	1 1/8"	1 1/4"	1 1/4"	1 3/8"
N. P. T. PORT	1/2"			
OTHER DIMENSIONS:				
A	1 7/8"			
B	1 1/16"			
C	2"			
D	3"			

Also available in any size stroke,
 rod size, port, seal, mounting,
 or material.