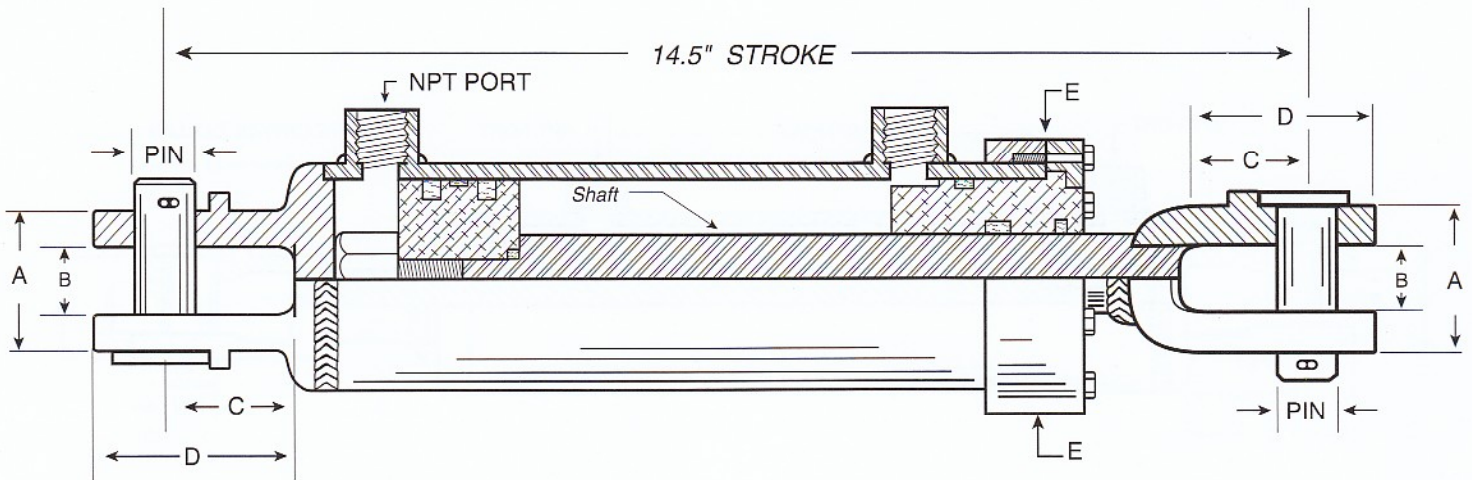


A.S.A.E. Standardized 3,000 P.S.I.
 Double Acting
 3" X 8" Cylinder Illustrated



MODEL No.	G 25x8	G 3x8	G 35x8	G 4x8	G 5x8	G 6x8
BORE DIAMETER	2 1/2"	3"	3 1/2"	4"	5"	6"
STROKE	8"	8"	8"	8"	8"	8"
LENGTH RETRACTED				20 1/4"		
LENGTH EXTENDED				28 1/4"		
FORCE PER 100 P.S.I. PUMP PRESSURE						
PUSH	177"	314	490	706	962	1256
PULL	98"	215	378	558	785	1049
PIN SIZE	1"	1"	1"	1"	1"	1"
SHAFT DIAMETER	1-1/4"	1 3/8"	1-1/2"	1-5/8"	2"	2-1/4"
N. P. T. PORT	3/8"	1/2"	1/2"	1/2"	3/4"	3/4"
OTHER DIMENSIONS:						
A	2-1/2"	2-1/2"	2-1/2"	2-1/2"	2-1/2"	2 1/2"
B	1-1/8"	1-1/8"	1-1/8"	1-1/8"	1-1/8"	1 1/8"
C	1-7/8"	1-7/8"	1-7/8"	1-7/8"	1-7/8"	1 7/8"
D		3-1/4"	3-1/4"	3-1/4"	3-1/2"	3 1/2"
E	3-1/4"	4"	4-1/4"	5"	6-1/4"	7-1/4"



Also available in any size stroke,
 rod size, port, seal, mounting,
 or material.

A variation of this series is used to
 interchange
 with JIC Cylinders.