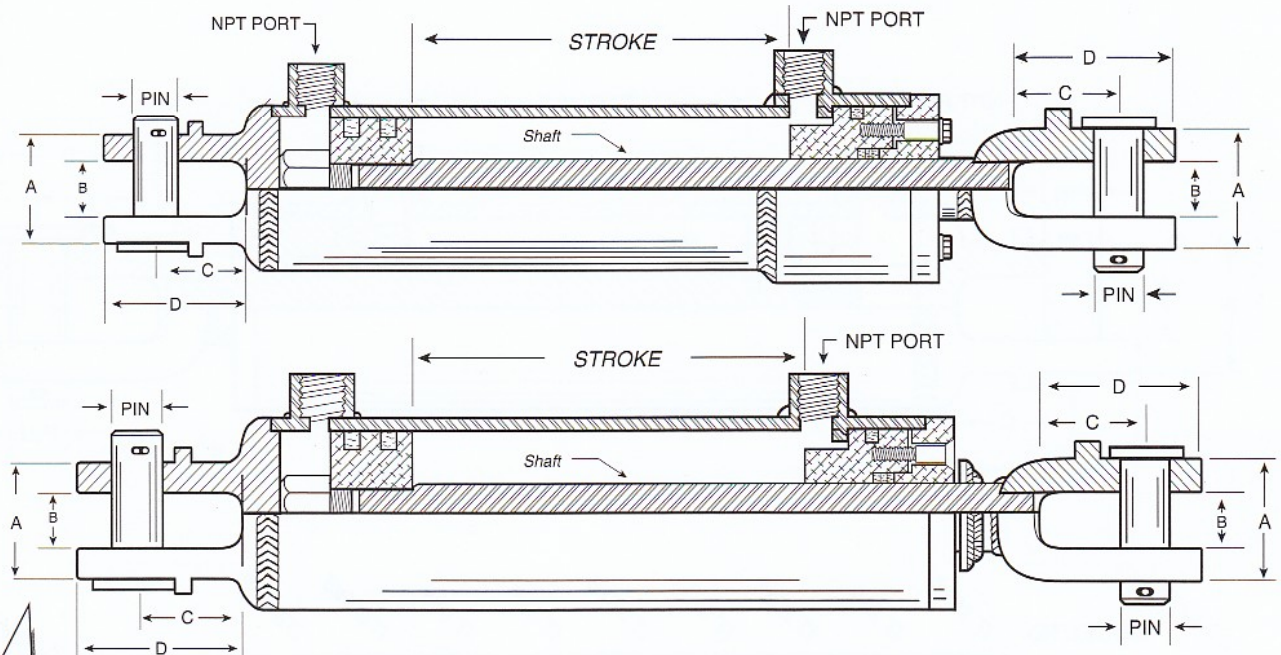


A.S.A.E. Standardized, High Pressure, Cylinders  
Double Acting 3,000 P.S.I.

3 x 8 Cylinder Illustrated - Approx. 3/10 Size



**NEW!  
ONE PIECE  
PISTON  
DESIGN!**

NO STEEL WASHERS! ALL PARTS EASILY INTERCHANGEABLE WITH HP SERIES

MODEL No.	HR 15x8	HR 2x8	HR 25x8	HR 3x8	HR 35x8	HR 4x8	HR 5x16	HRB 5x16	HRB 6x16	
BORE DIAMETER	1 1/2"	2"	2 1/2"	3"	3 1/2"	4"	5"	5"	6"	
STROKE									8"	16
LENGTH RETRACTED									20 1/4"	31 1/2"
LENGTH EXTENDED									28 1/4"	47 1/2"
<b>FORCE PER 100 P.S.I. PUMP PRESSURE</b>										
PUSH	177	314	490	706	962	1256	1963	1963	2827	
PULL	98	215	378	558	785	1049	1649	1649	2429	
PIN SIZE									1"	1 1/4"
SHAFT DIAMETER	1"	1 1/8"	1 1/4"	1 3/8"	1 1/2"	1 5/8"	2"	2"	2 1/4"	
N. P. T. PORT	3/8"	3/8"	3/8"	1/2"	1/2"	1/2"	3/4"	3/4"	3/4"	
<b>OTHER DIMENSIONS:</b>										
A									2 1/2"	2 1/2"
B	1"	1"	1"	1"	1 1/8"	1 1/8"	1 1/8"	1 1/8"	1 1/8"	
C							1 7/8"	1 7/8"	1 7/8"	
D	3"	3"	3 1/4"	3 1/4"	3 1/4"	3 1/4"	3 1/2"	3 1/2"	3 1/2"	

ALL HR Series can be ordered for use with Stroke Control Clamps Option

Also available in any size stroke, rod size, port, seal, mounting, or material.