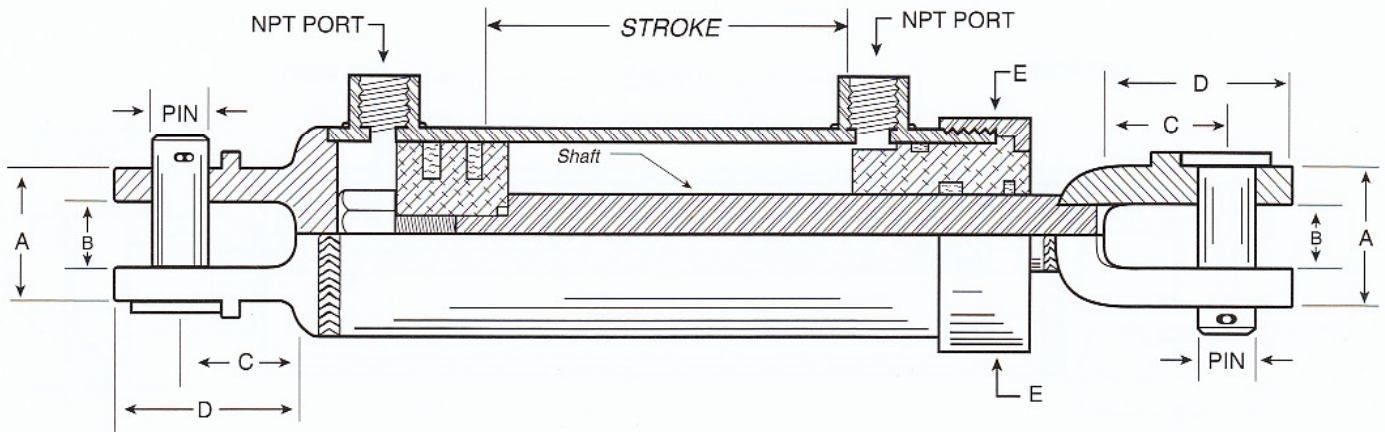


A.S.A.E. Standardized 3,000 P.S.I.  
 Double Acting  
 3" X 8" Cylinder Illustrated



MODEL No.	TC 15x8	TC 2x8	TC 25x8	TC 3x8	TC 35x8	TC 4x8	TC 5x8	TCB 5x8	TCB 6x8
BORE DIAMETER	1 1/2"	2"	2 1/2"	3"	3 1/2"	4"	5"	5"	6"
STROKE	8"	8"	8"	8"	8"	8"	8"	8"	8"
LENGTH RETRACTED				20 1/4"				23 1/2"	23 1/2"
LENGTH EXTENDED				28 1/4"				31 1/2"	31 1/2"
<b>FORCE PER 100 P.S.I. PUMP PRESSURE</b>									
PUSH	177"	314	490	706	962	1256	1963	1963	2857
PULL	98"	215	378	558	785	1049	1649	1649	2429
PIN SIZE	1"	1"	1"	1"	1"	1"	1"	1 1/4"	1 1/4"
SHAFT DIAMETER	1"	1 1/8"	1 1/4"	1 3/8"	1 1/2"	1 5/8"	2"	2"	2 1/4"
N. P. T. PORT	3/8"	3/8"	3/8"	1/2"	1/2"	1/2"	3/4"	3/4"	3/4"
<b>OTHER DIMENSIONS:</b>									
A	1 7/8"	1 7/8"	2 1/2"	2 1/2"	2 1/2"	2 1/2"	2 1/2"	2 1/2"	2 1/2"
B	1 1/8"	1 1/8"	1 1/8"	1 1/8"	1 1/8"	1 1/8"	1 1/8"	1 1/8"	1 1/8"
C	2"	2"	1 7/8"	1 7/8"	1 7/8"	1 7/8"	1 7/8"	1 7/8"	1 7/8"
D	3"	3"	3 1/4"	3 1/4"	3 1/4"	3 1/4"	3 1/2"	3 1/2"	3 1/2"
E	2 1/4"	2 3/4"	3 1/4"	4"	4 1/4"	5"	6 1/4"	6 1/4"	7 1/4"



Also available in any size stroke, rod size, port, seal, mounting, or material.

A variation of this series is used to interchange with JIC Cylinders.